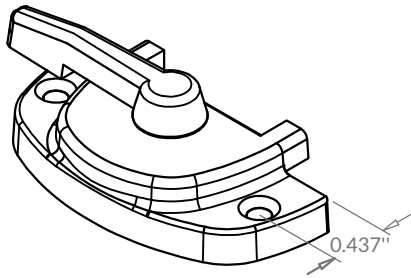


WINDOW HARDWARE

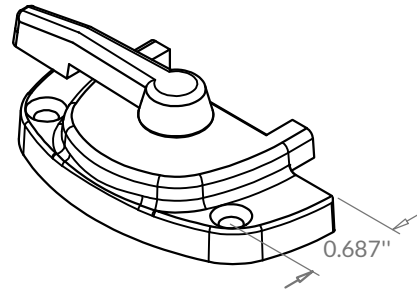
SASH LOCKS

05G Series

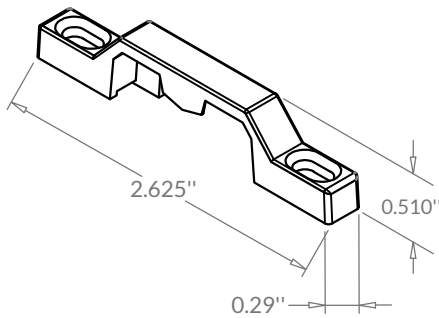
G3-31-05AG-xx



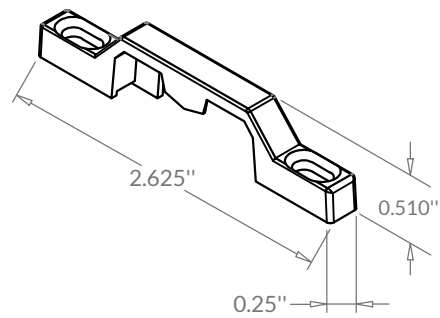
G3-31-05BG-xx



G3-31-05K8-xx



G3-31-05K9-xx



Colors	Color code (xx)
White	xx = 01
Blue-white	xx = 02
Black	xx = 09

Your best fenestration hardware and accessories resource

1 800 870-6692

info@servitek.ca

Servitek
FENESTRATION