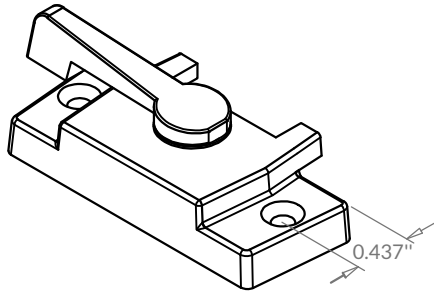


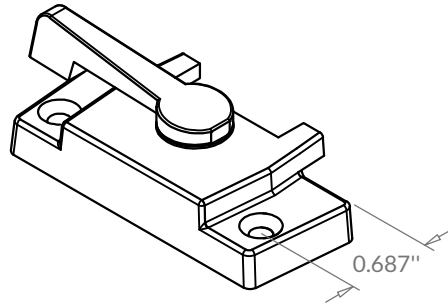
# WINDOW HARDWARE

## SASH LOCKS 00G Series

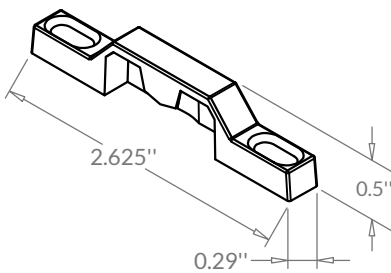
G3-31-00AG-xx



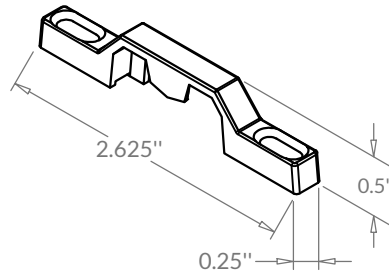
G3-31-00BG-xx



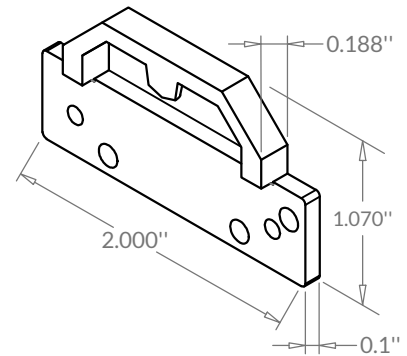
G3-31-00K1-xx



G3-31-00K3-xx



G3-31-00K17-xx



Colors	Color code (xx)
White	xx = 01
Blue-white	xx = 02
Black	xx = 09

Your best fenestration hardware and accessories resource

1 800 870-6692

info@servitek.ca

**Servitek**  
FENESTRATION